

# *KillTest*

품질은 좋고 서비스도 더욱 좋습니다



# 덤프

<http://www.killtest.kr>

우리는 고객에게 년 동안 무상업데이트 서비스를 제공합니다

**Exam** : **NS0-151**

**Title** : Network Appliance SAN  
Exam 7G

**Version** : Demo

1. Which two of the following commands can be used to enable space reservations for a LUN?

- A. lun create
- B. lun set reservation
- C. fcp -r <lun\_path>
- D. iscsi -r <lun\_path>

**Answer:** AB

2. Cloning a LUN from a snapshot will cause that snapshot to be \_\_\_\_\_.

- A. recreated
- B. corrupted
- C. locked
- D. destroyed

**Answer:** C

3. For long-term use, a writeable snapshot of a LUN should be turned into a LUN clone.

- A. True
- B. False

**Answer:** A

4. What is the outcome of the following command ?

```
lun create -b /vol/vol2/.snapshot/testsnap/lun0 /vol/vol2/lun0.clone
```

- A. It creates a duplicate of the clone process of lun0.
- B. It creates a clone of the writeable snapshot of lun0.
- C. It creates a writeable snapshot of lun0.
- D. It creates a snapshot "testsnap" of vol2.

**Answer:** C

5. When using SnapRestore to restore a single LUN, the LUN must be \_\_\_\_\_.

- A. mounted on a host
- B. mapped to a Windows server

- C. exported and accessible
- D. taken offline or unmapped

**Answer: D**

6. The writeable snapshot that is created for a LUN clone depends on \_\_\_\_\_.

- A. mirroring
- B. the snapshot taken at the time the clone was created
- C. exclusive access to the volume
- D. the data in the original LUN not changing

**Answer: B**

7. After you clone a LUN, it is a best practice that you \_\_\_\_\_.

- A. delete the snapshot created by the writeable snapshot
- B. copy the clone to a new volume as soon as possible and delete the old clone
- C. create a snapshot of the original LUN in the event that the clone changes
- D. expand the LUN so that the host does not encounter ENOSPC errors

**Answer: A**

8. What is the difference between hard and soft zoning?

- A. Soft zones are based on WWNs/WWPNs.
- B. Hard zones are based on WWNs/WWPNs.
- C. Soft zones are based on domain IDs and port IDs.
- D. None of the above is correct.

**Answer: A**

9. Please click the "Exhibit" button.

```
filer> lun show -m
LUN path                               Mapped to                               LUN ID
-----
/vol/voll/QTUser3/User3luna            UserXig                                  2
/vol/voll/QTUserX/UserXiSCSI           UserXiSCSI                               0
/vol/voll/QTUserX/UserXluna            serXig                                    1
/vol/voll/QTUserX/userxlunx.lun        viaRPC.10:00:00:00:c9:2d:61:fa          0
/vol/voll/adtivedb.lun                 viaRPC.10:00:00:00:c9:2d:61:fa          2
```

Based on the lun show -m output, what can you determine from the LUNs that are mapped to "via RPC"?

- A. The LUNs were mapped manually.
- B. The LUNs were mapped using rsh.
- C. The LUNs were mapped using SnapDrive.
- D. The LUNs were mapped using lun setup.

**Answer: B**

10. Space reservations are useful in SAN iSCSI and FCP LUN environments.

- A. True
- B. False

**Answer: A**

11. Applications, such as databases, running on NAS or iSCSI or FCP SAN must be \_\_\_\_\_.

- A. prepared for snapshots by flushing buffers to disk and momentarily suspending activity
- B. disconnected from their storage resources during the snapshot
- C. using dynamic multipathing during a backup
- D. mirrored with a host-based volume manager to be backed-up

**Answer: A**

12. Given that there is no real flow control in FCP SAN, attention should be given to monitoring queue depths.

- A. True
- B. False

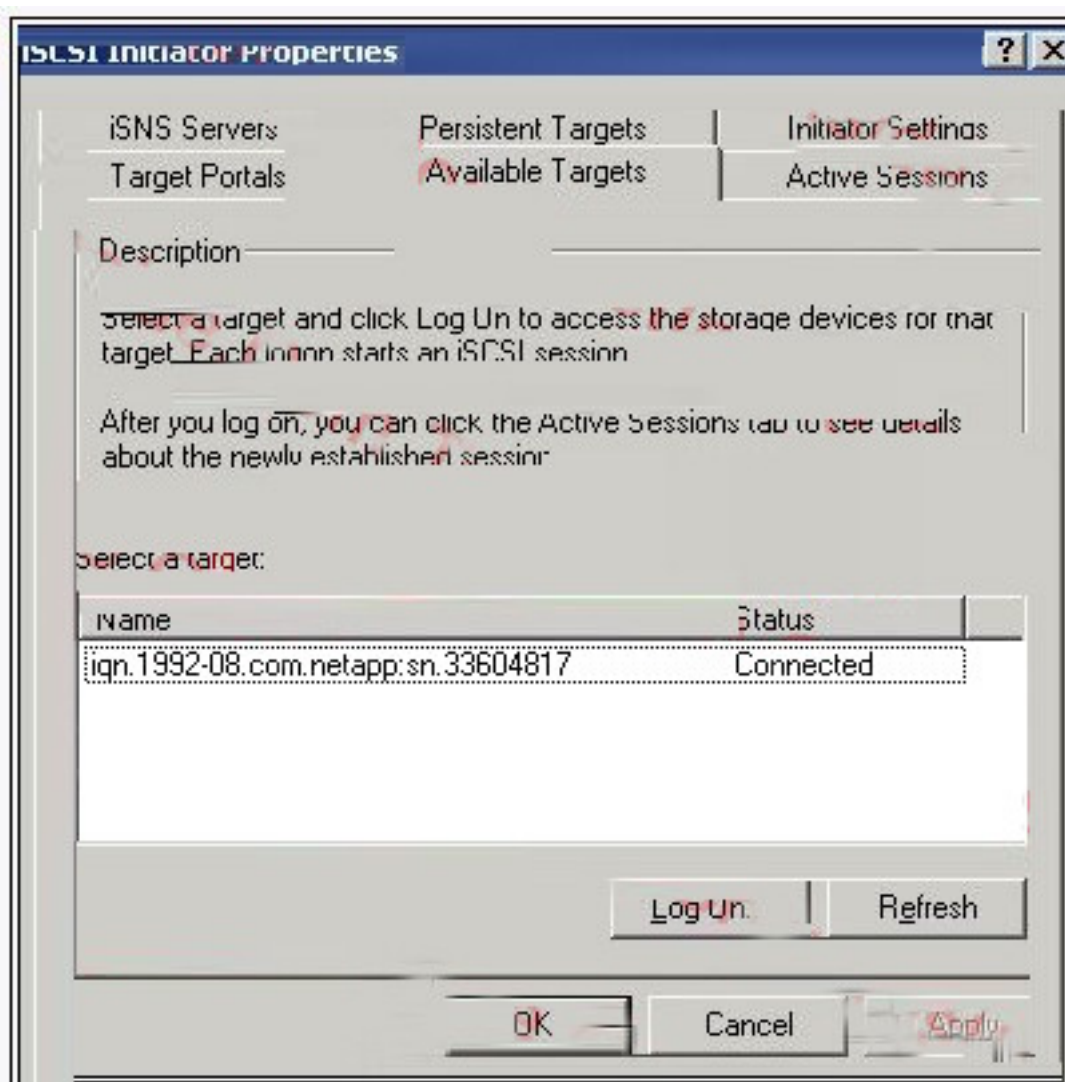
**Answer: A**

13. What are the minimum and maximum LUN sizes on a NetApp storage appliance using iSCSI and a Microsoft Windows 2000 Server?

- A. Minimum 11.5 MB, Maximum 2TB
- B. Minimum 21.5 MB, Maximum 2.5TB
- C. Minimum 31.5 MB, Maximum 2TB
- D. Minimum 41.5 MB, Maximum 2.5TB

**Answer: C**

14. Please click the "Exhibit" button.



The target name "iqn.1992-08.com.netapp:sn33604817" appears on the Windows iSCSI Initiator

Properties screen. What command on the storage appliance will display the target name?

- A. iscsi show initiators
- B. iscsi show adapters
- C. iscsi nodename
- D. iscsi config

**Answer: C**

15. Which of the following commands would you use to verify the iSCSI service is running?

- A. license add iSCSI
- B. iscsi service
- C. iscsi status
- D. iscsi protocol

**Answer: C**

16. Which three of the following are true of the NetApp iSCSI target (ISWT)? (Choose 3)

- A. It is an iSCSI software interface.
- B. It is an iSCSI hardware interface.
- C. It implements iSCSI protocol.
- D. It supports iSCSI target operation over standard NICs.

**Answer: ACD**

17. In an iSCSI target configuration, there are two ISWT adapters. The purpose of adapter iswta is for local traffic. What is the purpose of the iSCSI target adapter iswtb?

- A. It is used for partner traffic in a clustered Windows host environment.
- B. It is used for partner traffic in a clustered storage appliance environment.
- C. It is used for iSCSI network traffic when iswta is exceeding thresholds.
- D. It is used for iSCSI network traffic when iswta has failed.

**Answer: B**

18. Which of the following is not a command that can be performed with the SnapDrive for Windows

graphical user interface?

- A. Create Disk
- B. Create VLD
- C. Connect Disk
- D. Convert VLD to LUN

**Answer: B**

19. In a Fibre Channel configuration, the host's HBA is referred to as the \_\_\_\_\_ and the storage appliance's HBA is referred to as the \_\_\_\_\_.

- A. primary, secondary
- B. initiator, target
- C. secondary, primary
- D. target, initiator

**Answer: B**

20. Which of the following is not used for creating LUNs on the storage appliance?

- A. lun create
- B. lun setup
- C. FilerView
- D. lun config

**Answer: D**

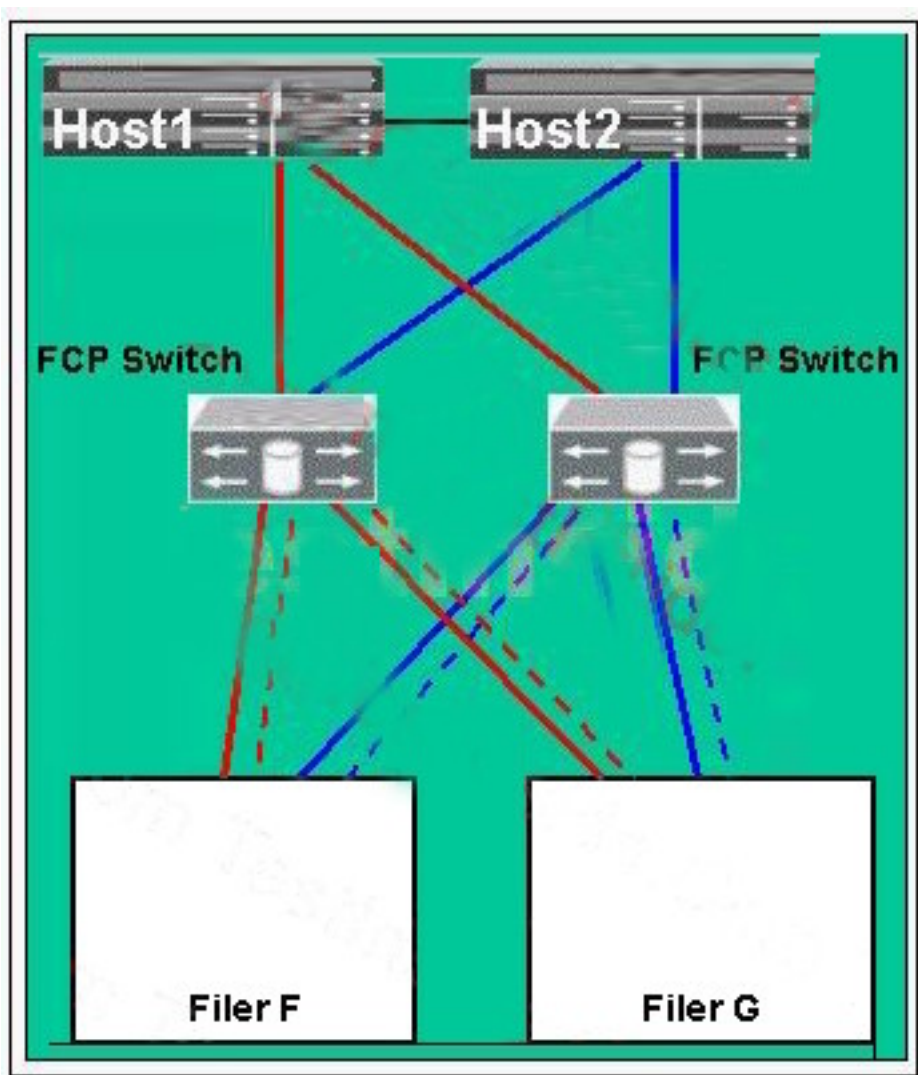
21. The three methods to create a LUN are:

lun setup  
lun map  
FilerView

- A. True
- B. False

**Answer: B**

22. Please click the "Exhibit" button.

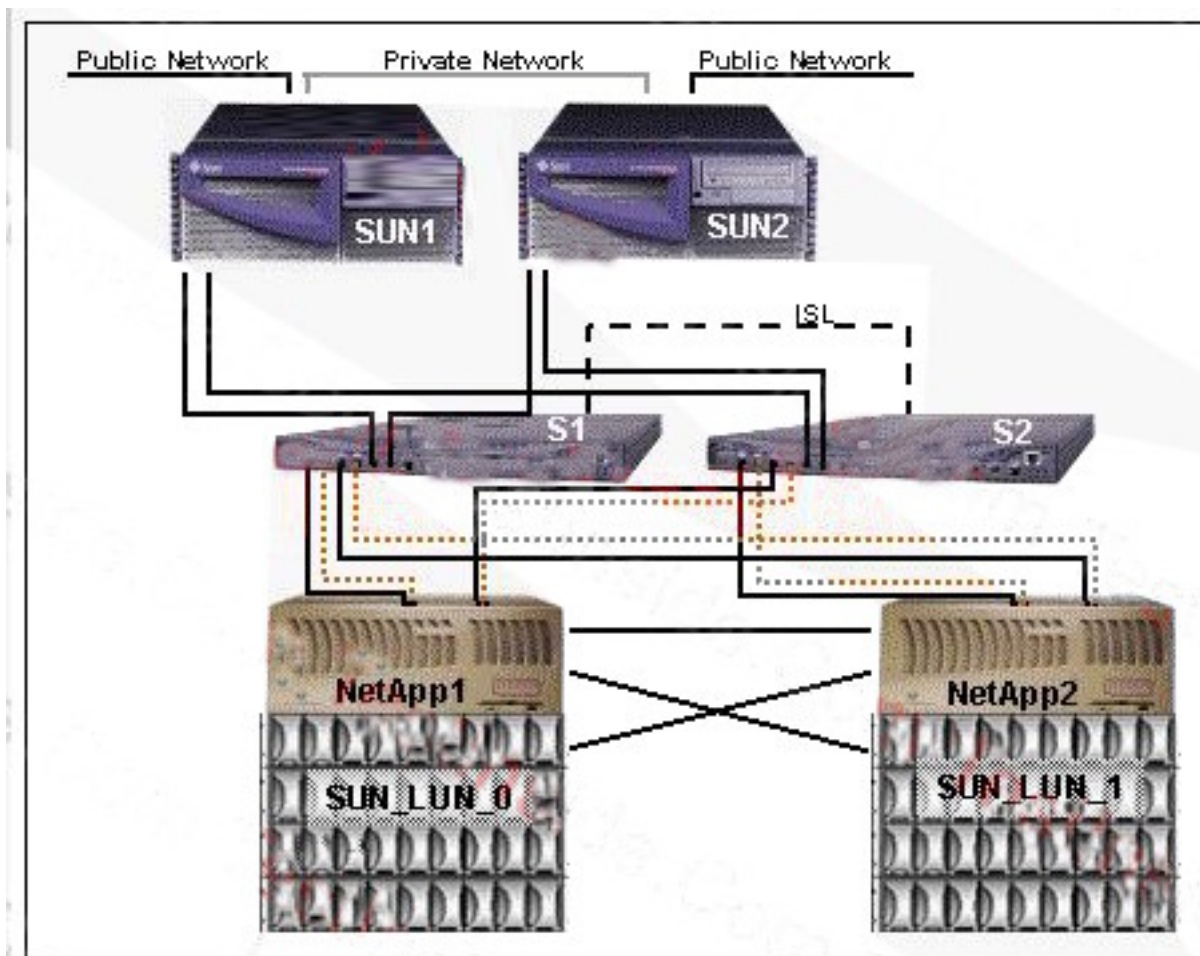


Which configuration type best describes this diagram?

- A. It is a direct attached configuration.
- B. It is a no single point of failure configuration.
- C. It is a clustered host, clustered storage appliance, and clustered FCP switch configuration.
- D. It is an FAS270c configuration.

**Answer: B**

23. Please click the "Exhibit" button.



In this configuration, the Sun hosts are \_\_\_\_\_.

- A. configured as mirrors of each other
- B. clustered to each other and multi-pathed to the LUNs
- C. connected via an ISL (Inter System Link)
- D. not configured correctly

**Answer: B**

24. If you cannot access a LUN that has been created and mapped to an initiator from a Solaris host, what are the two most likely problems? (Choose 2)

- A. The storage appliance is not in the /etc/hosts file.
- B. The LUN ID is not in the /etc/sd.conf file.
- C. The devfsadm command has not been executed.
- D. The LUN ID is not in the /kernel/drv/sd.conf file.

**Answer: CD**

25. At Network Appliance, the presence of iSCSI or FCP SAN and NAS storage on the same storage appliance is referred to as \_\_\_\_\_.

- A. consolidated storage
- B. co-mingled storage
- C. unified storage
- D. united storage

**Answer: C**

26. Which three of the following can coexist on a NetApp storage appliance?

- A. Domain Controller
- B. NFS
- C. CIFS
- D. SAN

**Answer: BCD**

27. Which of the following is not a characteristic of an iSCSI or FCP SAN implementation?

- A. iSCSI is a TCP/IP method for accessing LUNs.
- B. You can access LUNs through FCP.
- C. Block services are synonymous with an iSCSI or FCP SAN environment.
- D. A LUN can be converted into a VLD.

**Answer: D**

28. Which three queue statements are true? (Choose 3)

- A. Each device queue maps to one and only one host HBA queue.
- B. Total device queue space on Solaris cannot exceed host HBA queue space.
- C. Total device queue space in Windows cannot exceed HBA target space.
- D. Over-allocation of device queues relative to host HBA space on HP-UX does not lead to problems.

**Answer: ABD**

29. In FCP SAN and iSCSI SAN, NetApp recommends creating \_\_\_\_\_ per NetApp cluster node.

- A. no more than 10 volumes
- B. no more than 50 volumes
- C. no more than 100 volumes
- D. no more than 200 volumes

**Answer: C**

30. If you believe you have an FCP SAN performance problem, which NetApp utility or command would gather both your Solaris host and storage appliance data for analysis?

- A. poststat
- B. perfstat
- C. prestat
- D. sio\_ntap.exe

**Answer: B**